



"steengood in stainless"

M.S. STAINLESS LUXEMBOURG S.A.

We would like to draw your attention to the **Pressureless manhole cover**.

This manhole cover was designed for depressurised tanks. The pressureless manhole is used predominantly in the food and dairy industry as an access for persons to, for instance, inspect the tank. Additionally, the manhole can be used for applying additives (colourings, odour and flavourings) to the product.

The pressureless manhole is available in the sizes:

NW 200 - internal  $\varnothing$  200

NW 300 - internal  $\varnothing$  300

NW 400 - internal  $\varnothing$  400

NW 500 - internal  $\varnothing$  500

NW 600 - internal  $\varnothing$  600



Standard model: 304 and 316(L)

Seal: Silicone (transparent)

Finishing: internal  $Ra \leq 0.8\mu$

external  $Ra \leq 1.2\mu$

Options: Different types of seals (see 'range of seals'),

Nylon handwheel

M12/M16,

Stainless steel

handwheel

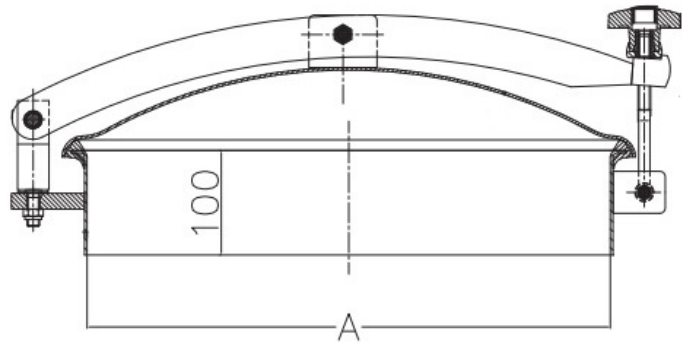
M12/M16,

Safety screen.

Range of seals: EPDM

Silicone

VITON



As you would expect from MSS, all pressureless manhole covers are coded with: *dimensions, type of material* and a *charge number*. So, it is completely recognisable and traceable (possibly by means of a certificate 3.1). Additionally, all seals comply with the FDA 177.2600 standard.

Are you interested, or would you like to know more about the possibilities of *M.S. Stainless Luxembourg S.A.*? Please feel free to contact us: [+352 950910](tel:+352950910) or send an email to: [Luxembourg@msstainless.com](mailto:Luxembourg@msstainless.com)

**M.S. Stainless International Group**

2-3, Reimerwee

L-9681 ROULINGEN (WILTZ)

Tel. +352 950909

Email [Luxembourg@msstainless.com](mailto:Luxembourg@msstainless.com)

Website [www.msstainless.com](http://www.msstainless.com)