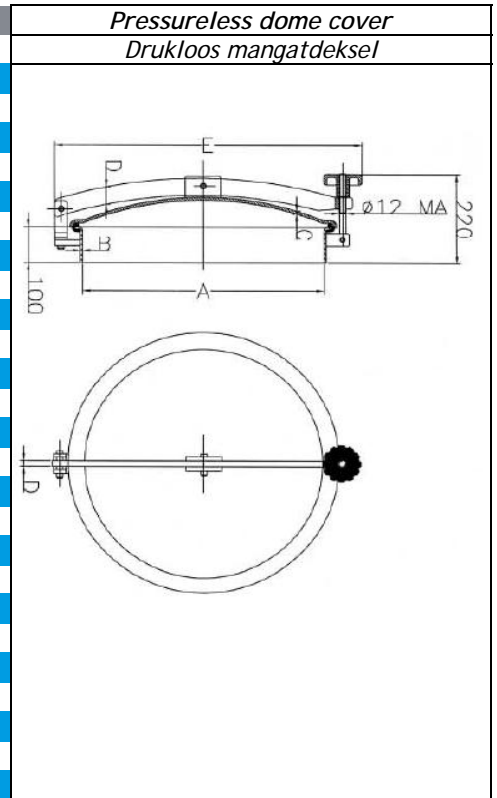


NW	A	B	C	D	E
200	200	2,5	2	30x8	320
300	295	2,5	2,5	35x8	420
400	400	2,5	2,5	40x10	520
500	500	2,5	2,5	40x10	635
600	600	2,5	2,5	40x10	740

Standard design: material 304 or 316(L)
silicone seal (transparent)
surface: outside & inside polished 320
plastic handle M12

Options : different seals (see range of seals)
stainless steel handle
safety grill

Range of seals: Epdm (+110/-20 grC)
Silicone (+200 grC)
Viton (+210/-20 grC)

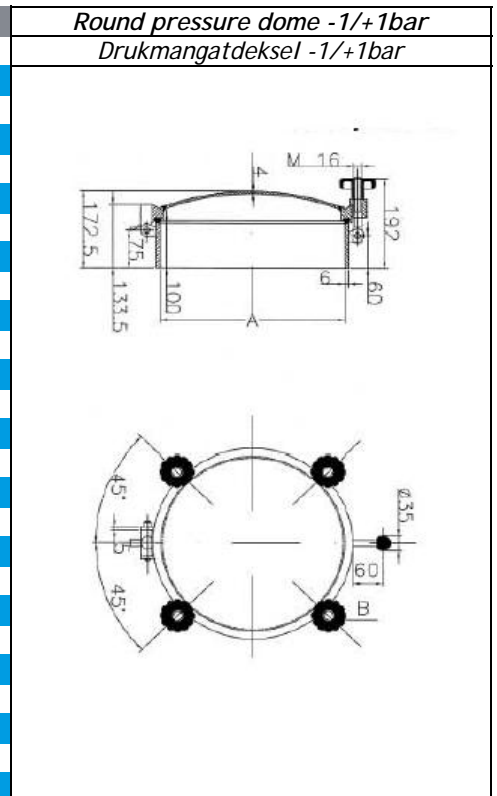


NW	A	Handle
200	203	4x
300	310	4x
400	410	4x
450	460	4x
500	510	4x
600	610	6x
700	700	8x
800	800	8x

Standard design: material 304 or 316(L)
silicone seal (transparent)
surface: ungrinded
shot blasted
plastic handle M12
neck height 100mm

Options : different seals (see range of seals)
stainless steel handle
safety grill
neck up to 2000mm, neck tickness up to 20mm

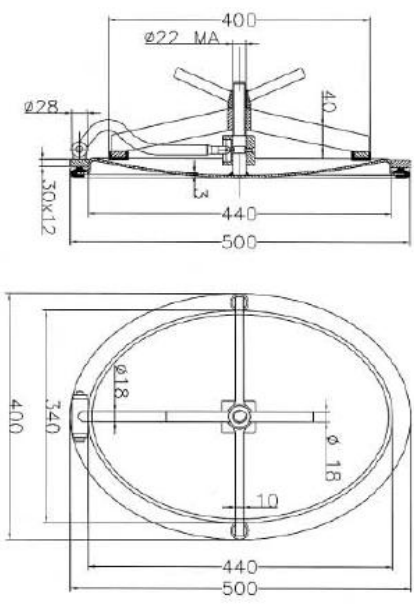
Range of seals: Epdm (+110/-20 grC)
Silicone (+200 grC)
Viton (+210/-20 grC)

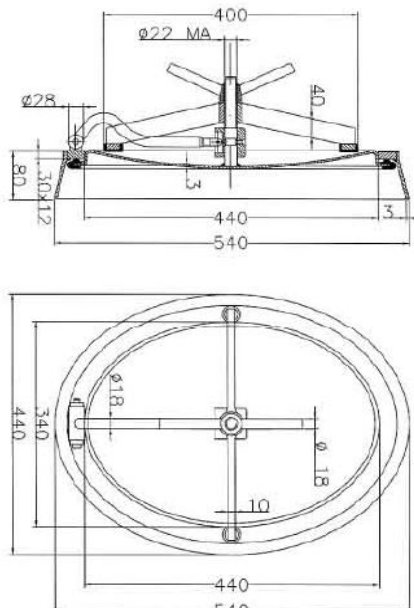


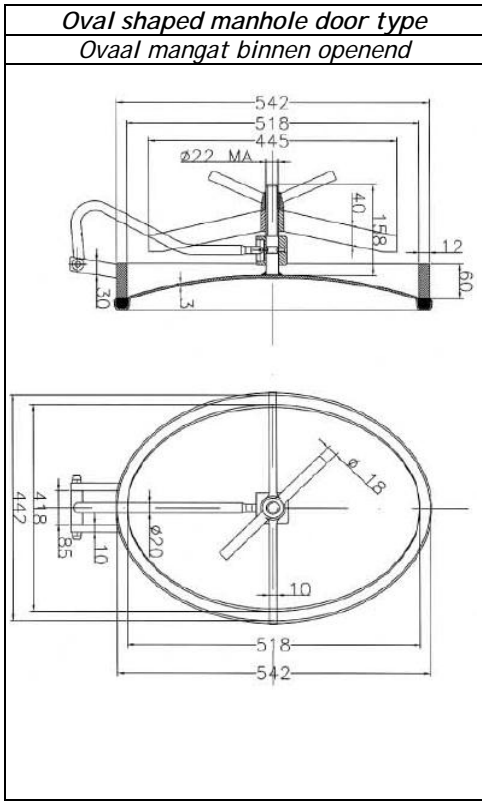
<i>Round pressure dome -1/+6bar</i> <i>Drukmangetdeksel -1/+6bar</i>	NW	A	Bar	Handle
	300	300	-1/+4	4x
		300	-1/+6	6x
	400	400	-1/+4	4x
		400	-1/+6	6x
	450	450	-1/+4	6x
		450	-1/+6	8x
	500	500	-1/+3	6x
		500	-1/+6	8x
	600	600	-1/+2	6x
		600	-1/+4	8x
	Standard design:		material 304 or 316(L) silicone seal (transparant) surface: ungrinded shot blasted plastic handle M12 neck height 150mm	
Options :		different seals (see range of seals) stainless steel handle safety grill neck up to 2000mm, neck tickness up to 20mm		

Range of seals: Epdm (+110/-20 grC)
Silicone (+200 grC)
Viton (+210/-20 grC)

<i>Oval shaped manhole</i> <i>Ovaal mangatdeksel</i>	NW	Bar	
	440x310	-1/+0,7	
	Standard design:		material 304 or 316(L) natural rubber seal
	Options :		different seals (see range of seals)
	Range of seals:		Epdm (+110/-20 grC) Silicone (+200 grC) Viton (+210/-20 grC) Natural rubber (+70/-50 grC)

NW	Bar	<i>Oval shaped manhole door type</i> <i>Ovaal mangat binnen openend</i>
440x330	+3,2bar	
Standard design: material 304 or 316(L) natural rubber seal		
Options : different seals (see range of seals)		
Range of seals: Epdm (+110/-20 grC) Silicone (+200 grC) Viton (+210/-20 grC) Natural rubber (+70/-50 grC)		

NW	Bar	<i>Oval shaped manhole door type</i> <i>Ovaal mangat binnen openend</i>
440x330	+3,2bar	
Standard design: material 304 or 316(L) natural rubber seal		
Options : different seals (see range of seals)		
Range of seals: Epdm (+110/-20 grC) Silicone (+200 grC) Viton (+210/-20 grC) Natural rubber (+70/-50 grC)		



	NW	Bar
	520x420	+8bar
Standard design:	material 304 or 316(L) natural rubber seal	
Options :	different seals (see range of seals)	
Range of seals:	Epdm (+110/-20 grC) Silicone (+200 grC) Viton (+210/-20 grC) Natural rubber (+70/-50 grC)	