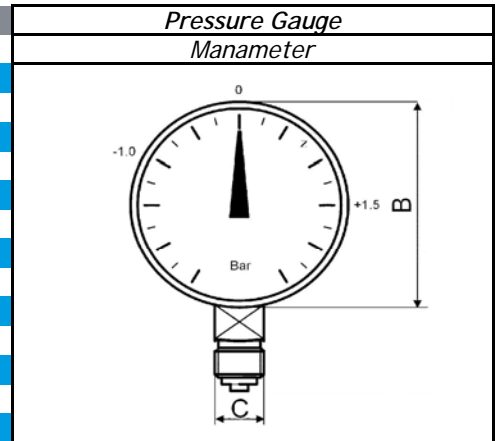


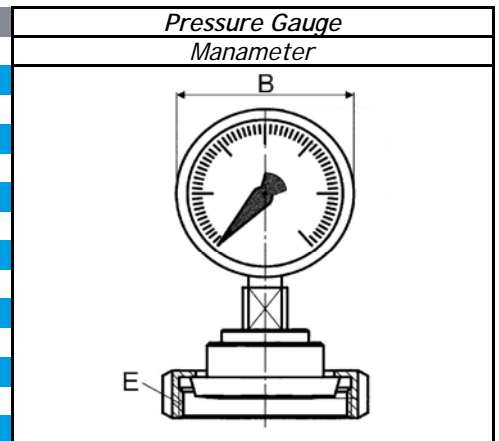
B	C	
Case mm		
63	R 1/4"	BSP NPT
80	R 1/4"	BSP NPT
100	R 1/2"	BSP NPT
160	R 1/2"	BSP NPT
200	R 1/2"	BSP NPT
250	R 1/2"	BSP NPT



Case: dry (optional: liquid filled)
 Materials: 304 - case
 316 - wetted parts
 Window: minaral glass 4mm
 Range: from -1 / 0bar
 from 0-0,6 / 60bar
 Accuracy: case 60 and 80 +/- 1,6% F.S. / class 1.6
 case 100 - 250 +/- 1,0% F.S. / class 1.0
 Temperature: max. 100grC

For other options & measurements please contact us !!

B	NW	E
Case mm	DIN11851	
63	25	Rd 52x1/6"
	40	Rd 65x1/6"
	50	Rd 78x1/6"
100	25	Rd 52x1/6"
	40	Rd 65x1/6"
	50	Rd 78x1/6"
160	25	Rd 52x1/6"
	40	Rd 65x1/6"
	50	Rd 78x1/6"



Case: dry (optional: liquid filled)
 Materials: 304 - case
 316 - wetted parts
 Window: minaral glass 4mm
 Range: from -1 / 0bar
 from 0-0,6 / 60bar
 Accuracy: case 60 and 80 +/- 1,6% F.S. / class 1.6
 case 100 - 250 +/- 1,0% F.S. / class 1.0
 Temperature: max. 100grC

For other options & measurements please contact us !!