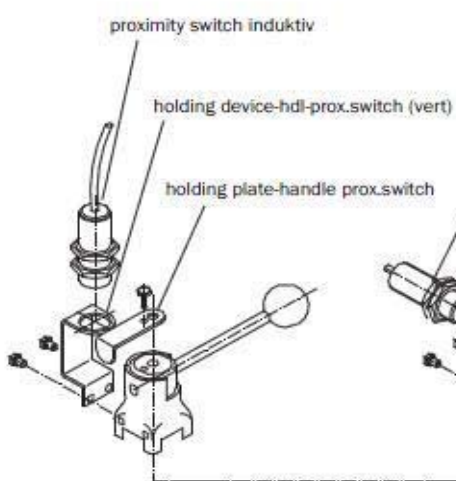
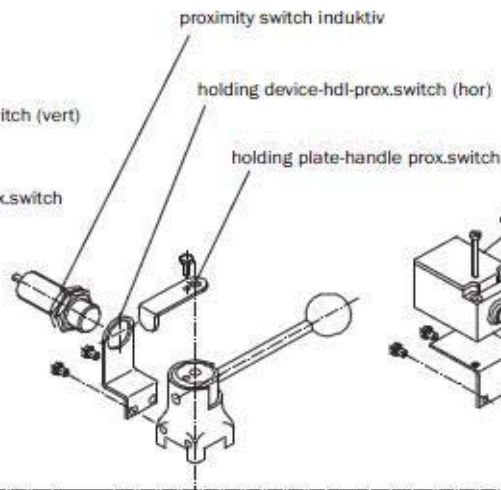


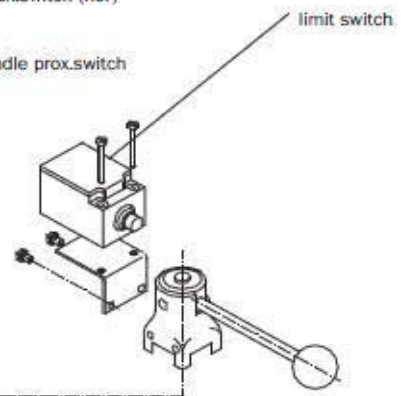
butterfly valve handle-standard with prox.switch vertical



butterfly valve handle-standard with prox.switch horizontal



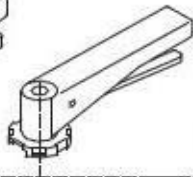
butterfly valve handle-standard with limit switch



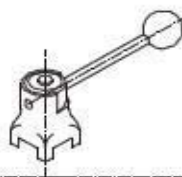
plastic handle



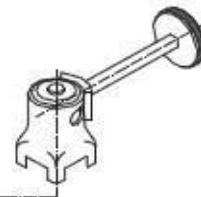
butterfly valvescissors handle



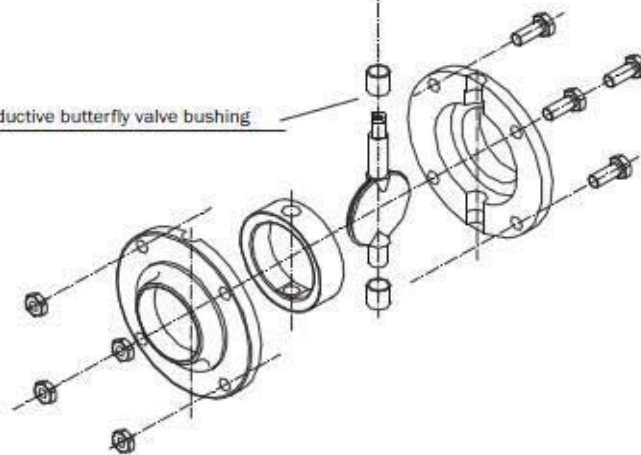
butterfly valve handle-standard

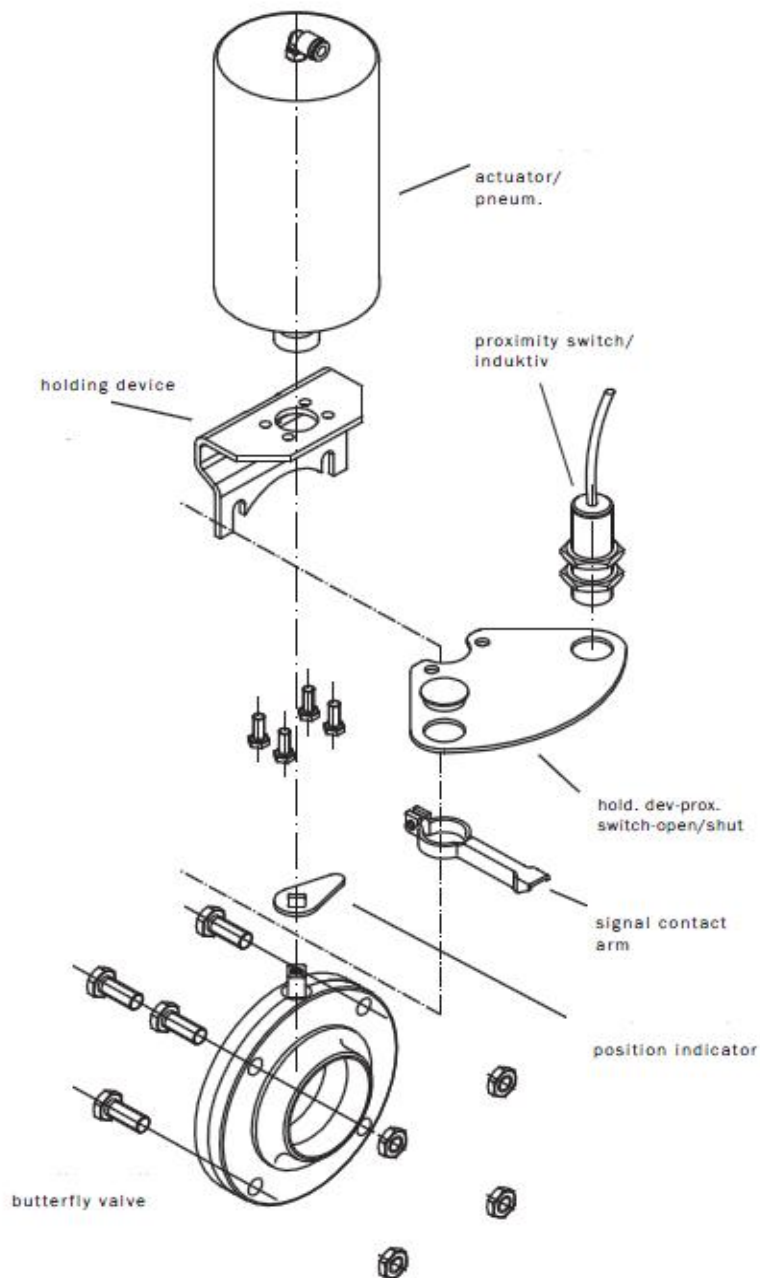


butterfly valve handle-stepless



conductive butterfly valve bushing





Description Pneumatic Actuators

	Mini	Standard		Reinforced	NC/NO
Square	9,5		14	9,5	9,5
BV DN125-200	X				
BV DN125-200					
BV DN125-200			X		

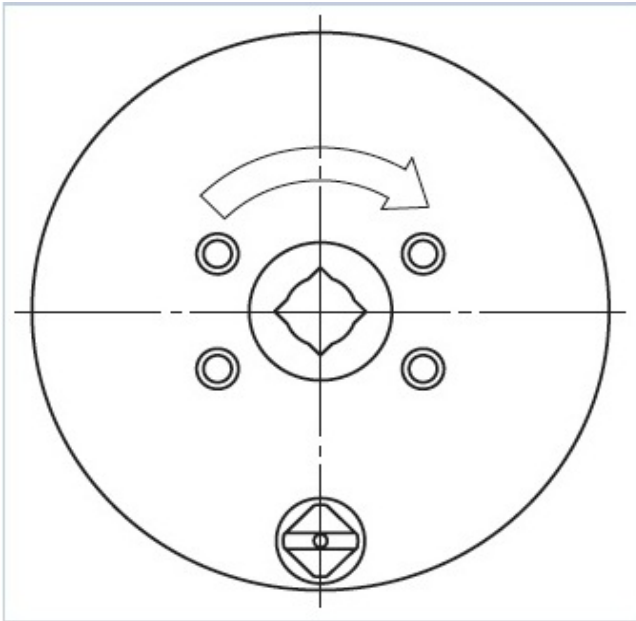
The torque to open or close the valve is mainly defined by the size, the sealing material, the product and the media temperature. Since the change in volume of an elastomer is about 10-times higher compared to steel, the increase of temperature entails an increase of the torque, too.

The elastomers of the butterfly valves contain materials, which reduce the surface friction. For the application of lubricating products (e.g. milk) the torque is reduced as well. Cleansing media wash out the low-friction substances on the surface of the seals, thus entailing an increase of the torque.

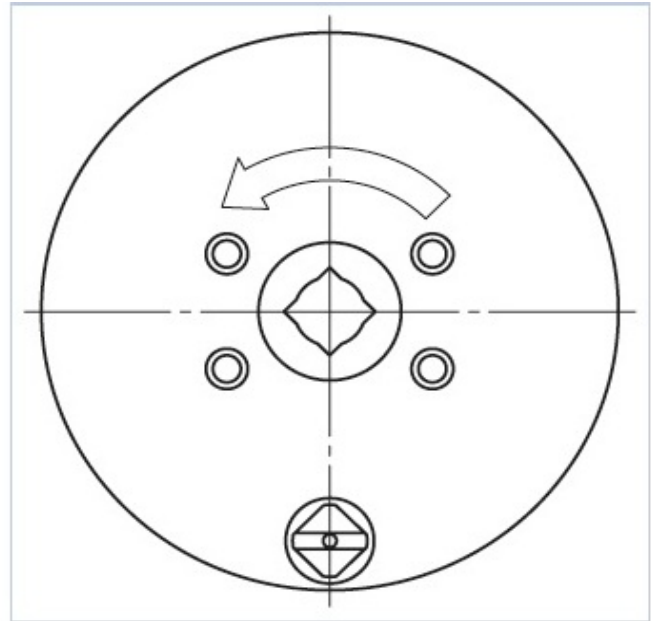
The butterfly valves are designed to be controlled by actuators at the max. permissible operating temperature. The actuators provide torque characteristics, which are adjusted to the torque curve of the butterfly valves. The media pressure has no influence on the switching behavior. However, high flow rates support the closing. Here, the speed has to be reduced by suitable means (throttle check valves in the compressed air line).

Type	NC (Normally Closed)	NO (Normally Open)	Reinforced
Functional Principles	A/S	A/S	A/S
Torque Curve			
Connection for Compressed Air	5 - 8 bar	5 - 8 bar	5 - 8 bar
Characteristics	An open valve requires low torque and upon immersion of the flap into the sealing the torque is significantly increased. In closed position the maximum torque is provided. The butterfly valves is closed in the initial position.	These actuators have exactly opposite torque curves compared to NC. The butterfly valves is open in the initial position.	This actuators has combined the torque characteristic of NC and NO. In both final positions the maximum torque is provided.

Clockwise
viewing the drive shank from below



Counterclockwise
viewing the drive shank from below



Note:
The position feedback has to be checked accordingly. Leakage valves can only be operated with a actuator that provides clockwise rotation!

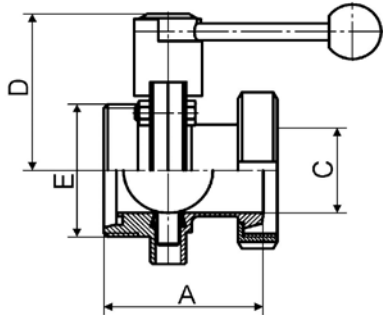
Type	MINI	NC and NO	Air/Air
Functional Principles	A/S	A/S	A/A
Torque Curve			
Connection for Compressed Air	5 - 8 bar	5 - 8 bar	5 - 8 bar
Characteristics	This is a actuator with the torque characteristic NC	The torque curve is analogous to the reinforced design, yet on a lower level.	Due to the construction, the version air/air has a high torque at very low pressure. Typical application for T-butterfly valve.

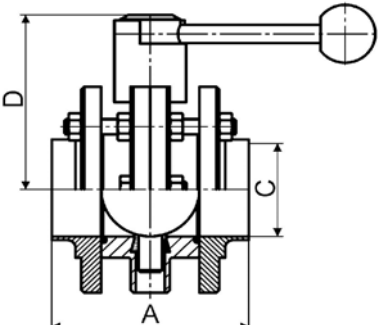
NW	A	B	C	D	E	<i>Btfl. valve DIN welding ends</i> <i>Vlinderklep DIN las/las</i>	
25	40	90	26	31			
32	42	92	32	37			
40	50	94	38	43			
50	50	101	50	55			
65	50	110	66	71			
80	60	123	81	87			
100	64	134	100	106			
125	112	168	125	132			
150	124	183	150	157			

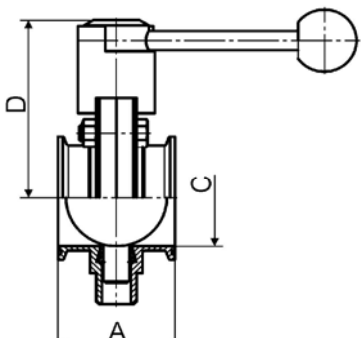
NW	A	B	C	D	E	<i>Btfl. valve DIN male/welding ends</i> <i>Vlinderklep DIN las/draaa</i>	
25	52	90	26	31	Rd 52x1/6"		
32	53	92	32	37	Rd 58x1/6"		
40	61	94	38	43	Rd 65x1/6"		
50	61	101	50	55	Rd 78x1/6"		
65	63	110	66	71	Rd 95x1/6"		
80	80	123	81	87	Rd 110x1/4"		
100	84	134	100	106	Rd 130x1/4"		
125	112	168	125	132	Rd 160x1/4"		
150	124	183	150	157	Rd 190x1/4"		

NW	A	B	C	D	E	<i>Btfl. valve DIN liner/welding ends</i> <i>Vlinderklep DIN las/punt+wartel</i>	
25	74		26	90	Rd 52x1/6"		
32	78		32	92	Rd 58x1/6"		
40	87		38	94	Rd 65x1/6"		
50	89		50	101	Rd 78x1/6"		
65	95		66	110	Rd 95x1/6"		
80	117		81	123	Rd 110x1/4"		
100	128		100	134	Rd 130x1/4"		
125	146		125	168	Rd 160x1/4"		
150	161		150	183	Rd 190x1/4"		

NW	A	B	C	D	E	<i>Btfl. valve DIN male/male</i> <i>Vlinderklep DIN draad/draaa</i>	
25	64		26	90	Rd 52x1/6"		
32	64		32	92	Rd 58x1/6"		
40	72		38	94	Rd 65x1/6"		
50	72		50	101	Rd 78x1/6"		
65	76		66	110	Rd 95x1/6"		
80	100		81	123	Rd 110x1/4"		
100	104		100	134	Rd 130x1/4"		
125	112		125	168	Rd 160x1/4"		
150	124		150	183	Rd 190x1/4"		

<i>Btfl. valve DIN male/liner</i> <i>Vlinderklep DIN draad/punt+wartel</i>	NW	A	B	C	D	E
	25	74		26	90	Rd 52x1/6"
	32	78		32	92	Rd 58x1/6"
	40	87		38	94	Rd 65x1/6"
	50	89		50	101	Rd 78x1/6"
	65	95		66	110	Rd 95x1/6"
	75/3"	107		72,9	124	Rd 104x1/6"
	80	117		81	123	Rd 110x1/4"
	100	128		100	134	Rd 130x1/4"
	125	146		125	168	Rd 160x1/4"
	150	161		150	183	Rd 190x1/4"

<i>Butterfly valve DIN btw. Flangers</i> <i>Vlinderklep DIN tussenflens</i>	NW	A	B	C	D	E
	25	90		26	90	
	32	90		32	92	
	40	100		38	94	
	50	100		50	101	
	65	100		66	110	
	80	136		81	123	
	100	136		100	134	
	125	168		125	168	
	150	168		150	183	
	200	112		200	220	

<i>Btfl. valve DIN CC</i> <i>Vlinderklep DIN TC/TC</i>	NW	A	B	C	D	E
	25	64		26	90	
	32	72		32	92	
	40	72		38	94	
	50	72		50	101	
	65	76		66	110	
	80	100		81	123	
	100	104		100	134	

NW	A	B	C	D	E	<i>T-butterfly valve DIN-male ends "A"</i> <i>T-vlinderklep DIN 3x draad "A"</i>
25	72	102	26		Rd 52x1/6"	
32	77	108	32		Rd 58x1/6"	
40	82	121	38		Rd 65x1/6"	
50	93	131	50		Rd 78x1/6"	
65	105	143	66		Rd 95x1/6"	
80	115	170	81		Rd 110x1/4"	
100	130	184	100		Rd 130x1/4"	

NW	A	B	C	D	E	<i>T-butterfly valve DIN-male ends "D"</i> <i>T-vlinderklep DIN 3x draad "D"</i>
25	72	102	26		Rd 52x1/6"	
32	77	108	32		Rd 58x1/6"	
40	82	121	38		Rd 65x1/6"	
50	93	131	50		Rd 78x1/6"	
65	105	143	66		Rd 95x1/6"	
80	115	170	81		Rd 110x1/4"	
100	130	184	100		Rd 130x1/4"	

NW	A	B	C	D	E	<i>T-butterfly valve DIN-male ends "B"</i> <i>T-vlinderklep DIN 3x draad "B"</i>
25	102	72	26		Rd 52x1/6"	
32	108	77	32		Rd 58x1/6"	
40	121	82	38		Rd 65x1/6"	
50	131	93	50		Rd 78x1/6"	
65	143	105	66		Rd 95x1/6"	
80	170	115	81		Rd 110x1/4"	
100	184	130	100		Rd 130x1/4"	

NW	A	B	C	D	E	<i>T-butterfly valve DIN-male ends "E"</i> <i>T-vlinderklep DIN 3x draad "E"</i>
105	102	203	26		Rd 52x1/6"	
118	108	215	32		Rd 58x1/6"	
130	121	241	38		Rd 65x1/6"	
143	131	261	50		Rd 78x1/6"	
155	143	285	66		Rd 95x1/6"	
167	170	339	81		Rd 110x1/4"	
180	184	367	100		Rd 130x1/4"	

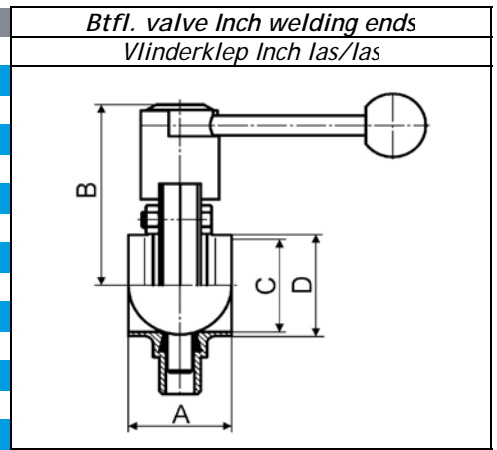
<i>Butterfly valve combination</i> <i>Vlinderklepschakelcombinatie "haaks"</i>	NW	A	B	C	D	E
	25	102	72	26		Rd 52x1/6"
	32	108	77	32		Rd 58x1/6"
	40	121	82	38		Rd 65x1/6"
	50	131	93	50		Rd 78x1/6"
	65	143	105	66		Rd 95x1/6"
	80	170	115	81		Rd 110x1/4"
	100	184	130	100		Rd 130x1/4"

<i>Butterfly valve combination</i> <i>Vlinderklepschakelcombinatie "recht"</i>	NW	A	B	C	D	E
	25	72	102	26		Rd 52x1/6"
	32	77	108	32		Rd 58x1/6"
	40	82	121	38		Rd 65x1/6"
	50	93	131	50		Rd 78x1/6"
	65	105	143	66		Rd 95x1/6"
	80	115	170	81		Rd 110x1/4"
	100	130	184	100		Rd 130x1/4"

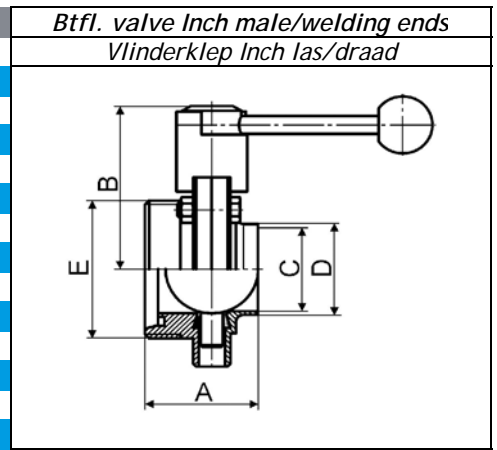
<i>Butterfly valve combination</i> <i>Vlinderklepschakelcombinatie</i>	NW	A	B	C	D	E
	25					
	32					
	40					
	50					
	65					
	80					
	100					

<i>Butterfly valve combination + actuator</i> <i>Vlinderklepschakelcombinatie + actuator</i>	NW	A	B	C	D	E
	25					
	32					
	40					
	50					
	65					
	80					
	100					

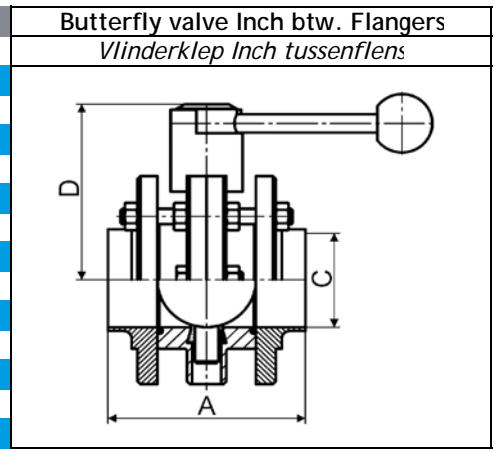
NW	A	B	C	D	E
1"	90	90	22,9	25,4	
1,5"	94	94	35,1	38,1	
2"	101	101	47,8	50,8	
2,5"	110	110	60,5	63,5	
3"	123	123	72,1	76,1	
4"	134	134	97,6	101,6	



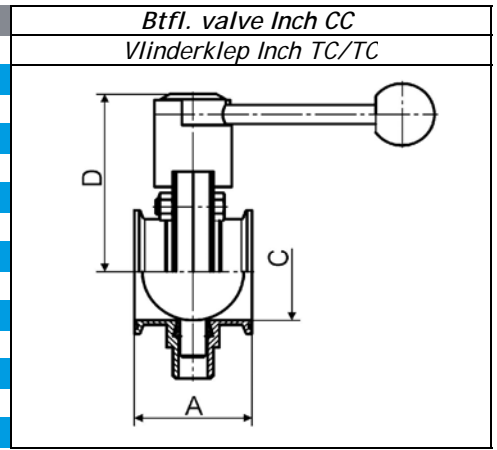
NW	A	B	C	D	E
1"	51	90	22,9	25,4	Rd 52x1/6"
1,5"	60	94	35,1	38,1	Rd 65x1/6"
2"	60	101	47,8	50,8	Rd 78x1/6"
2,5"	61,5	110	60,5	63,5	Rd 95x1/6"
3"	75	123	72,1	76,1	Rd 104x1/6"
4"	83	134	97,6	101,6	Rd 130x1/4"



NW	A	B	C	D	E
1"	88		22,9	90	
1,5"	98		35,1	94	
2"	98		47,8	101	
2,5"	98		60,5	110	
3"	136		72,1	123	
4"	134		97,6	134	



NW	A	B	C	D	E
1"	64		22,9	90	
1,5"	72		35,1	94	
2"	72		47,8	101	
2,5"	76		60,5	110	
3"	90		72,1	123	
4"	104		97,6	134	

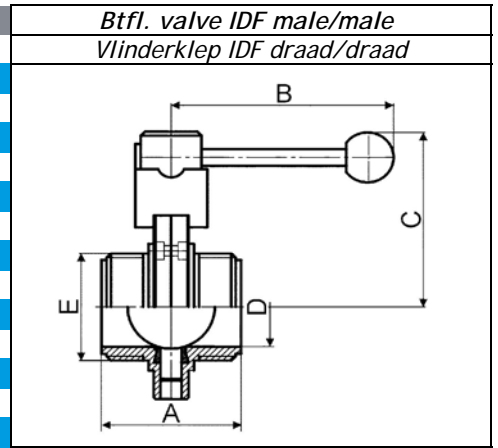


<i>Butterfly valve 11864/1 male/male</i> <i>Vlinderklep 11864/1 draad/draad</i>	NW	A	B	C	D	E
	10	78	105	79	10	Rd 28x1/8"
	15	78	105	79	16	Rd 34x1/8"
	20	82	105	79	20	Rd 44x1/8"
	25	64	107	90	26	Rd 52x1/6"
	32	64	107	92	32	Rd 58x1/6"
	40	82	137	94	38	Rd 65x1/6"
	50	72	137	101	50	Rd 78x1/6"
	65	76	137	110	66	Rd 95x1/6"
	80	100	167	123	81	Rd 110x1/4"
	100	104	167	134	100	Rd 130x1/4"

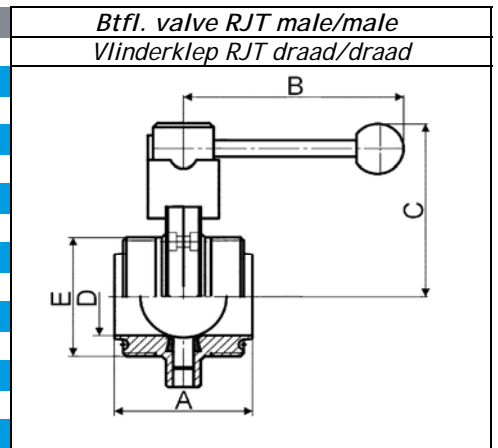
<i>Butterfly valve 11864/1 welding/male</i> <i>Vlinderklep 11864/1 las/draad</i>	NW	A	B	C	D	E
	10	59	105	79	10	Rd 28x1/8"
	15	59	105	79	16	Rd 34x1/8"
	20	61	105	79	20	Rd 44x1/8"
	25	52	107	90	26	Rd 52x1/6"
	32	53	107	92	32	Rd 58x1/6"
	40	61	137	94	38	Rd 65x1/6"
	50	61	137	101	50	Rd 78x1/6"
	65	63	137	110	66	Rd 95x1/6"
	80	80	167	123	81	Rd 110x1/4"
	100	84	167	134	100	Rd 130x1/4"

<i>Butterfly valve 11864/1 male/liner</i> <i>Vlinderklep 11864/1 draad/punt</i>	NW	A	B	C	D	E
	10	76	105	79	10	Rd 28x1/8"
	15	76	105	79	16	Rd 34x1/8"
	20	79	105	79	20	Rd 44x1/8"
	25	74	107	90	26	Rd 52x1/6"
	32	78	107	92	32	Rd 58x1/6"
	40	87	137	94	38	Rd 65x1/6"
	50	91	137	101	50	Rd 78x1/6"
	65	97	137	110	66	Rd 95x1/6"
	80	118	167	123	81	Rd 110x1/4"
	100	130	167	134	100	Rd 130x1/4"

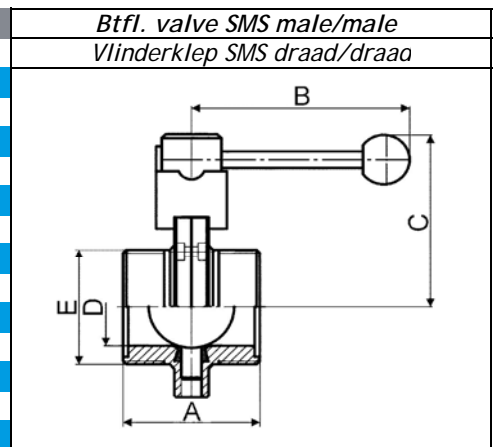
NW	A	B	C	D	E
1"	72	107	90	22,9	1"
1,5"	72	137	94	35,1	1 1/2"
2"	72	137	101	47,8	2"
2,5"	76	137	110	60,5	2 1/2"
3"	90	167	123	72,1	3"

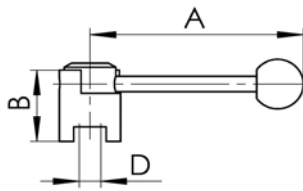


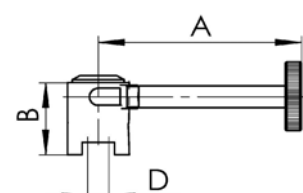
NW	A	B	C	D	E
1"	74	107	90	22,9	Rd 46,0x1/8"
1,5"	82	137	94	35,1	Rd 58,7x1/8"
2"	82	137	101	47,8	Rd 73,0x1/6"
2,5"	86	137	110	60,5	Rd 85,7x1/6"
3"	100	167	123	72,1	Rd 98,4x1/6"

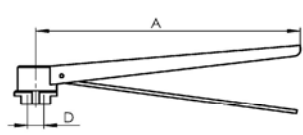


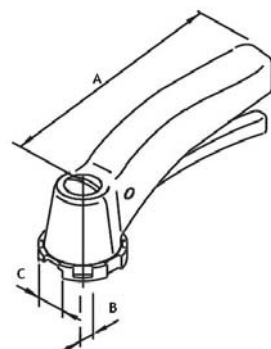
NW	A	B	C	D	E
1"	64	107	90	22,5	Rd 40x1/6"
1,5"	72	137	94	35,5	Rd 60x1/6"
2"	72	137	101	48,5	Rd 70x1/6"
2,5"	76	137	110	60,5	Rd 85x1/6"
3"	90	167	123	72,1	Rd 98x1/6"
4"	104	167	134	97,6	Rd 132x1/6"



<i>Butterfly valve handle-standard</i> <i>Vlinderklephandbediening standaard</i>	NW	A	B	C	D	E
	25 - 32	137			9,5	
	40 - 65	137			9,5	
	75/3" - 100	167			9,5	
	125 - 150	248			14	
	200	276			14	

<i>Butterfly valve handle-stepless</i> <i>Vlinderklephandbediening traploos</i>	NW	A	B	C	D	E
	25 - 65	126			9,5	
	75/3" - 100	145			14	
	125 - 200	233			14	

<i>Butterfly valve handle-scissors</i> <i>Vlinderklephandbediening scheerkneep</i>	NW	A	B	C	D	E
	25 - 65	145			9,5	
	75/3" - 100	145			9,5	

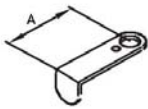
<i>Butterfly valve handle</i> <i>Vlinderklephandbediening</i>	NW	A	B	C	D	E
	10 - 40	105	9,5	10		
	50 - 65	166	9,5	10		
	80 - 100	166	9,5	16		

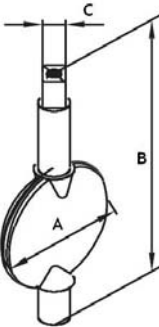
NW	A	B	C	D	E	<i>Btfl. Valve hdl for limit switch</i> <i>Vlinderklepbediening voor microswitch</i>
25 - 32		9,5	20			
40 - 65		9,5	20			
75/3" - 100		9,5	32			
125 - 150		14	32			
200		14	32			

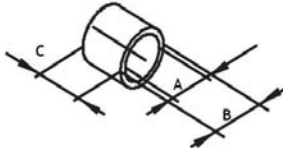
NW	A	B	C	D	E	<i>Holding device hdl limit switch</i> <i>Vlinderklep houder microswitch</i>
25 - 65	15					<p>with 2x M4-bolts</p>
75/3" - 100	20					
125 - 150	25					

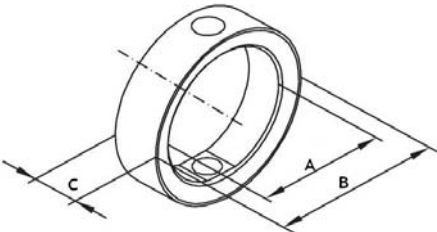
NW	A	B	C	D	E	<i>Btfl. Valve hdl for prox. Switch</i> <i>Vlinderklepbediening voor initiator</i>
Horizontal						
25 - 32		9,5	20			
40 - 65		9,5	20			
75/3" - 100		9,5	32			
125 - 150		14	32			
200		14	32			
Vertical						
25 - 32		9,5	20			
40 - 65		9,5	20			
75/3" - 100		9,5	32			
125 - 150		14	32			
200		14	32			

NW	A	B	C	D	E	<i>Holding device hdl prox. Switch</i> <i>Vlinderklep houder voor initiator</i>
25 - 65	18,3					<p>Horizontal Vertical</p>
80 - 100	18,3					
125 - 200	18,3					
25 - 65	12,3					
80 - 100	12,3					
125 - 200	12,3					

<i> Holding plate handle prox. Switch Vlinderklep plaatje prox. Switch.</i>	NW	A	B	C	D	E
 <p>with 1x M4-bolt</p>	25 - 100	45				
	125 - 200	55				

<i> Butterfly valve disc Vlinderklep spindel</i>	NW	A	B	C	D	E
	25	26,2	80,5	9,5		
	32	32,2	88	9,5		
	40	38,2	94	9,5		
	50	50,2	111,5	9,5		
	65	66,2	128,5	9,5		
	75/3"	71,1	142	9,5		
	80	81,2	144	9,5		
	100	100,2	164	9,5		
	125	125,2	207	14		
	150	150,8	236,5	14		
	200	200	320	14		

<i> Butterfly valve bushing Spindel busje</i>	NW	A	B	C	D	E
	25	10	12	5		
	32	10	12	5		
	40	12	14	10		
	50	12	14	10		
	65	12	14	10		
	75/3"	14	16	12		
	80	14	16	12		
	100	14	16	12		
	125	18	20	18		
	150	18	20	18		
	200	22	26	30		

<i> Butterfly valve seal Vlinderklepzitting</i>	NW	A	B	C	D	E
	25	26	40	20	available in:	silicone
	32	32	48	20		epdm
	40	38	54	21		viton
	50	51	67	21		hnbr
	65	67	85	22		
	75/3"	74	93	24		
	80	82	101	24		
	100	101	116	26		
	125	125	151	29		
	150	150	175	29		
	200	203	230	37		

NW	A	B	C	D	E
25 - 200					

Limit switch
Micro switch

with 2x M4-bolts

NW	A				
25 - 200	M 18x1	Type	IP 67	IP 65	
	M 12x1	Voltage	10 - 36V	10 - 36V	
		Exit	+	+	
		Diagram			
		Connection	PNP	PNP	
		max. switching	200mA	200mA	

Proximity switch inductiv
Benaderingsschakelaar

with plug n. DIN43650

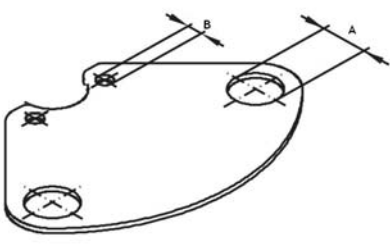
with 2mtr cable

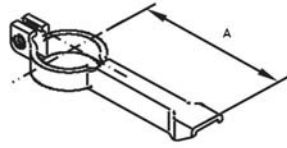
NW	A	B	C	D	E
25	52	17,6	78	30,3	51,5
32	52	17,6	82	30,3	55
40	52	17,6	86	30,3	58
50	52	17,6	96	30,3	67,5
65	52	17,6	108	30,3	79,5
75/3"	59	17,6	118	30,3	90
80	59	17,6	118	30,3	90
100	59	17,6	132	30,3	104
125	59	25,4	118	44	90
150 - 200	59	25,4	132	44	105

Holding device butterfly valve
Vlinderklepconsole

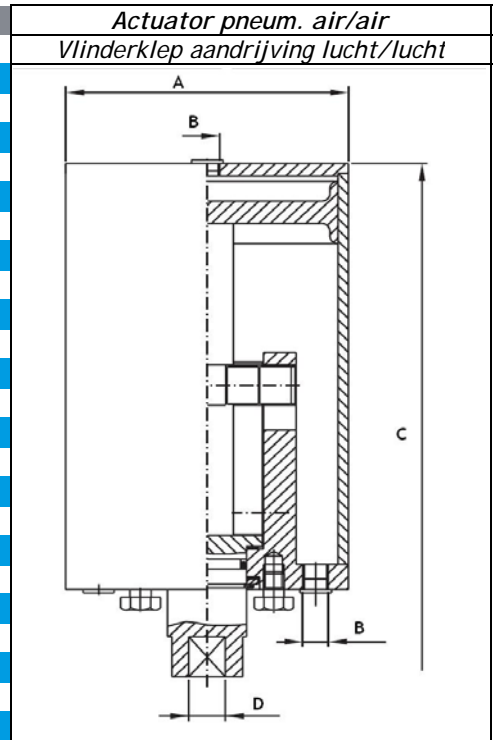
NW	A	B	C	D	E
25 - 100		17,6		5,5	
125 - 200		25,4		9	

Holding device mech. Limit switch
Vlinderklephouder micro switch

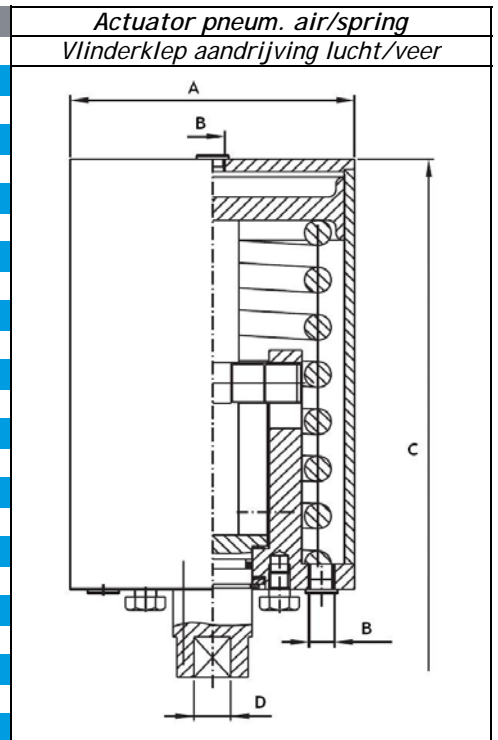
<i>Holding device prox. Switch open/shut</i> <i>Vlinderkl.houder benaderingsschakelaars</i>	NW	A	B	C	D	E
	25 - 100	18,3	6			
		12,3	6			
	125 - 200	18,3	9			
		12,3	9			

<i>Signal contact arm for btfl. Valve</i> <i>Vlinderklep vaan</i>	NW	A	B	C	D	E
	25 - 100	72				
	125 - 200	92				

NW	A	B	C	D	E
25	89,0	R 1/8"	236	9,5	
32	89,0	R 1/8"	238	9,5	
40	89,0	R 1/8"	241	9,5	
50	89,0	R 1/8"	247	9,5	
65	89,0	R 1/8"	256	9,5	
75/3"	89,0	R 1/8"	263	9,5	
80	89,0	R 1/8"	263	9,5	
100	89,0	R 1/8"	273	9,5	
125	129	R 1/8"	332	14	
150	129	R 1/8"	347	14	
200	129	R 1/8"	385	14	



NW	A	B	C	D	E
25	85	R 1/8"	226	9,5	
32	85	R 1/8"	228	9,5	
40	85	R 1/8"	231	9,5	
50	85	R 1/8"	237	9,5	
65	85	R 1/8"	246	9,5	
75/3"	85	R 1/8"	253	9,5	
80	85	R 1/8"	253	9,5	
100	85	R 1/8"	263	9,5	
125	129	R 1/8"	332	14	
150	129	R 1/8"	347	14	
200	129	R 1/8"	385	14	

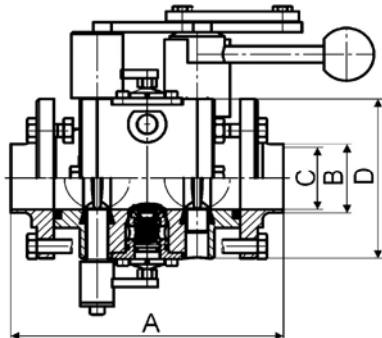


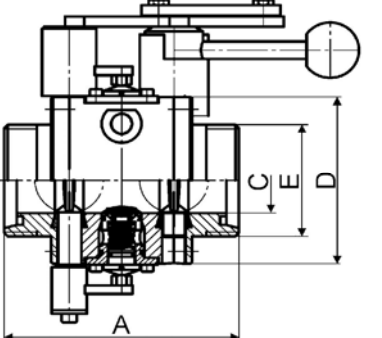
Solid execution

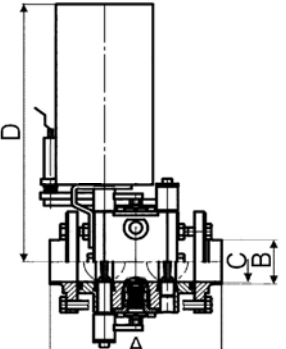
25	104	R 1/8"	270	9,5	
32	104	R 1/8"	272	9,5	
40	104	R 1/8"	275	9,5	
50	104	R 1/8"	281	9,5	
65	104	R 1/8"	290	9,5	
75/3"	104	R 1/8"	297	9,5	
80	104	R 1/8"	297	9,5	
100	104	R 1/8"	307	9,5	

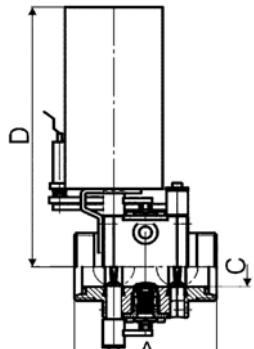
Mini execution

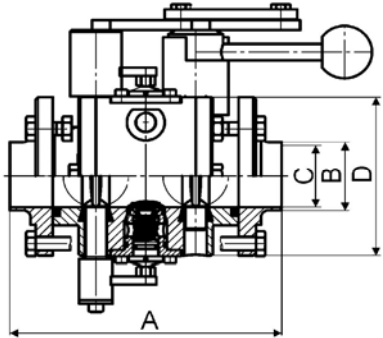
25 - 50	76	R 1/8"	-	9,5	
---------	----	--------	---	-----	--

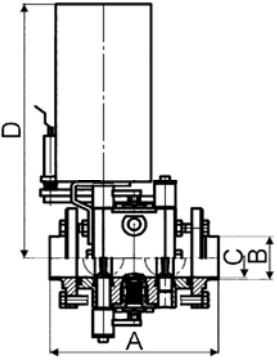
NW	A	B	C	D	E	Leakage btfl. valve DIN btw. Flanges Lekdetect. Vlinderklep DIN tussenflen:
25	138	31	26	87		
32	138	37	32	92		
40	148	43	38	97		
50	151	55	50	110		
65	167	72	66	127		
80	194	87	81	142		
100	194	106	100	162		

NW	A	B	C	D	E	Leakage btfl. valve DIN male/male Lekdetect. Vlinderklep DIN draad /draac	
25	112		26	87	Rd 52x1/6"		
32	112		32	92	Rd 58x1/6"		
40	120		38	97	Rd 65x1/6"		
50	123		50	110	Rd 78x1/6"		
65	143		66	127	Rd 95x1/6"		
80	158		81	142	Rd 110x1/4"		
100	162		100	162	Rd 130x1/4"		

NW	A	B	C	D	E	Leakage btfl. valve DIN btw. Flanges Lekdetect. Vlinderklep DIN tussenflen:	
25	138	31	26	253			
32	138	37	32	255			
40	148	43	38	258			
50	151	55	50	264			
65	167	72	66	315			
80	194	87	81	322			
100	194	106	100	332			

NW	A	B	C	D	E	Leakage btfl. valve DIN male/male Lekdetect. Vlinderklep DIN draad /draac	
25	112		26	253	Rd 52x1/6"		
32	112		32	255	Rd 58x1/6"		
40	120		38	258	Rd 65x1/6"		
50	123		50	264	Rd 78x1/6"		
65	143		66	315	Rd 95x1/6"		
80	158		81	322	Rd 110x1/4"		
100	162		100	332	Rd 130x1/4"		

Leakage btfl. Valve Inch btw. Flanges <i>Lekdetect. Vlinderklep Inch tussenflen:</i>	NW	A	B	C	D	E
	1"	138	25,5	22,2	87	
	1,5"	138	38,1	34,8	97	
	2"	148	50,8	47,6	110	
	2,5"	151	63,5	60,3	127	
	3"	167	76,1	72,9	142	
	4"	194	101,6	97,4	162	

Leakage btfl. Valve Inch btw. Flanges <i>Lekdetect. Vlinderklep Inch tussenflen:</i>	NW	A	B	C	D	E
	1"	138	25,5	22,2	253	
	1,5"	138	38,1	34,8	258	
	2"	148	50,8	47,6	264	
	2,5"	151	63,5	60,3	315	
	3"	167	76,1	72,9	322	
	4"	194	101,6	97,4	332	