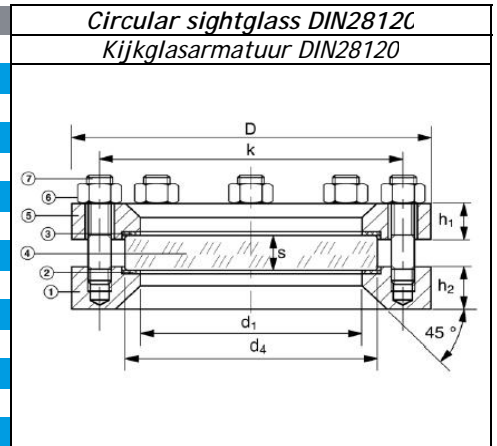


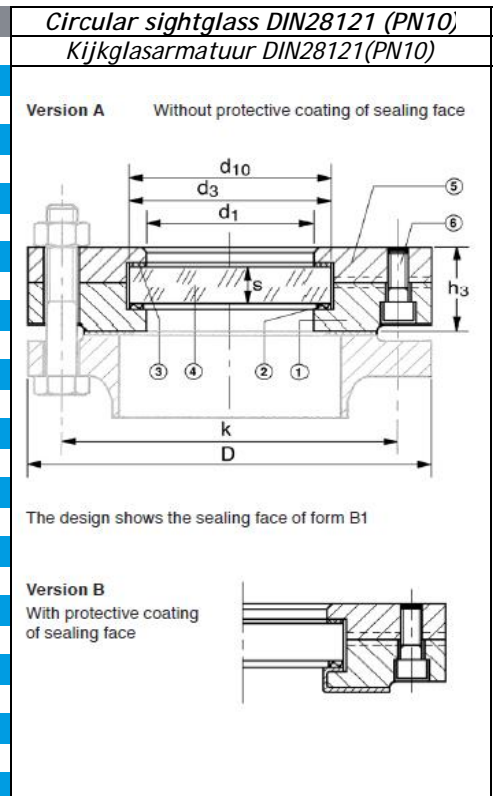
NW	D1	D4	glas	h1 / h2	D	K
<i>PN10/16</i>						
50	80	100	15/15	16/30	165	125
80	100	125	15/20	20/30	200	160
100	125	150	20/25	22/30	220	180
125	150	175	20/25	25/30	250	210
150	175	200	25/30	30/36	285	240
200	225	250	25/30	35/36	340	295



**Assembly and construction materials:**

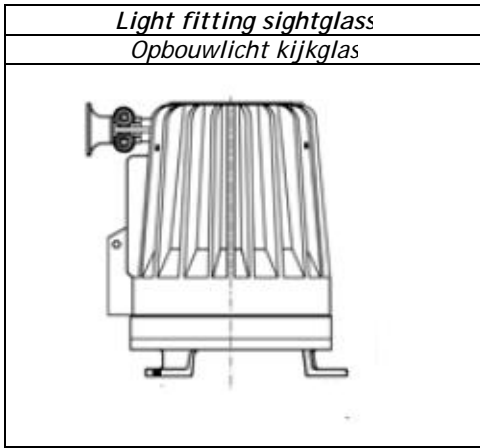
		Standard	On demand*
① ⑤	<b>Base flange</b> <b>Cover flange</b>	Steel RSt 37-2 1.4571 (= AISI 316 Ti) or 1.4541 (= AISI 321)	1.4404 (= AISI 316 L)
② ③	<b>Gaskets</b>	KLINGERSil C 4400	PTFE Silicone Viton Gylon
④	<b>Glass disc</b>	Sodium silicate to DIN 8902 (max. 150 °C)	Borosilicate to DIN 7080 (max. 280 °C)
⑥ ⑦	<b>Nuts</b> <b>Bolts or studs</b>	5.6 / 5.2	A2 / A4

NW	D1	D3	glas	h3	D	K
40	48	63	10	36	150	110
50	65	80	12	38	165	125
80	80	100	15	46	200	160
100	100	125	15	46	220	180
125	125	150	20	54	250	210
150	125	150	20	54	285	240
200	150	175	20	54	340	295



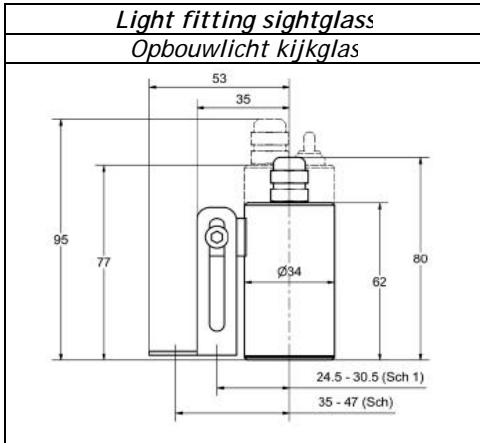
**Assembly and construction materials:**

①	<b>Base flange (Version A)</b> Form B1: Raised faced to DIN EN 1092-1 (standard) Form C: Tongue to DIN EN 1092-1 Form E: Male socket to DIN EN 1092-1  <b>Base flange (Version B)</b> (only deliverable with sealing face of form B and E)	Boilerplate H II to DIN 17155 Stainless steel 1.4571 (= AISI 316 Ti) to DIN 17440  Other materials on demand
②	<b>Gasket product side</b>	PTFE-covered ring gasket with internal support ring
③	<b>Gasket cover side</b>	KLINGERSil C 4400
④	<b>Glass disc</b>	Borosilicate to DIN 7080 (max. 280 °C)
⑤	<b>Cover flange</b>	Boilerplate H II to DIN 17155 Stainless steel 1.4541 (= AISI 321) Stainless steel 1.4571 (= AISI 316 L) Other materials on demand
⑥	<b>Security tightening bolts</b>	5.6 / 5.2, A4



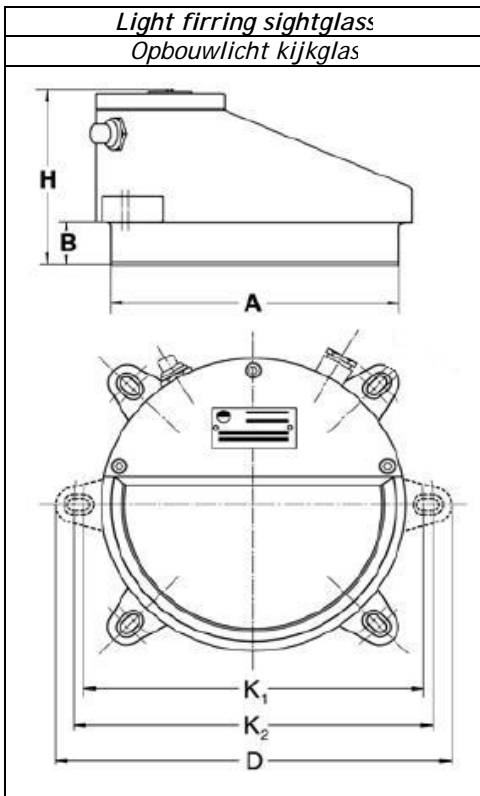
NW

Executions and technical details on request



NW

Executions and technical details on request



NW

A

B

H

D

K1

K2

65

79

16

67

134

106

116

80

99

18

74

158

128

138

100

124

20

85

187

157

167

125

148

23

93

212

182

192

150

173

28

107

245

210

220

200

224

33

107

306

270

280

Further technical details on request

For other sightglasses see chapter 9.1

NW	A	B	C	D	E	Threaded spindle rolled Stelvoet
1/2"	100	70				
3/4"	100	70				
1"	120	84				
1,25"	150	112				
1,5"	150	112				

NW	A	B	C	D	E	Collar socket Stelvoetsok
1/2"	35	24	13	26		
3/4"	41	32	15	30		
1"	46	38,5	17	35		
1,25"	56	48,5	20	40		
1,5"	63	57	25	50		

NW	A	B	C	D	E	Check nut Zeskant moer
1/2"	32	8				
3/4"	36	9				
1"	41	11				
1,25"	50	12				
1,5"	60	15				

NW	A	B	C	D	E	Cup plate with securing dimples Stelvoet-voetplaat
1/2"	120	3				
3/4"	120	3				
1"	120	3				
1,25"	160	8				
1,5"	160	8				